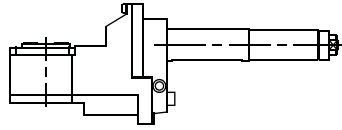




THREAD WHIRLING/TOURBILLONNAGE

CZ.035.C16/32

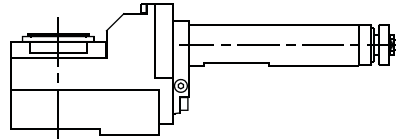
**CITIZEN
C16/C32**



RATIO 1:1
5.000 RPM MAX.

CZ.035.L16/20
L25/32
M12/M16
M20/M32

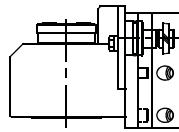
**CITIZEN
L16/L20
L25/L32
M12/M16
M20/M32**



RATIO 1:1
5.000 RPM MAX.

CZ.035.M12/M16T

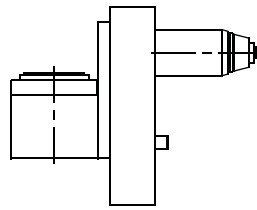
**CITIZEN
M12/M16T**



RATIO 1.75:1
6.000 RPM MAX.

CZ.035.M20/M32T

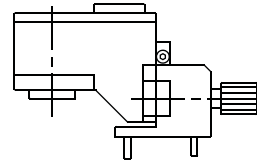
**CITIZEN
M20/M32T**



RATIO 1:1
6.000 RPM MAX.

DE.035.10

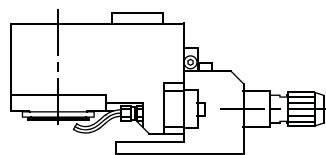
**DECO 2000
10a/7a**



RATIO 1:1
6.000 RPM MAX.

DE.035.13

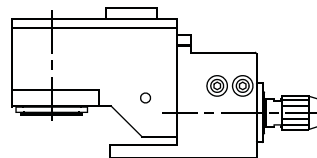
**DECO 2000
13a**



RATIO 1:1
6.000 RPM MAX.

DE.035.13/25

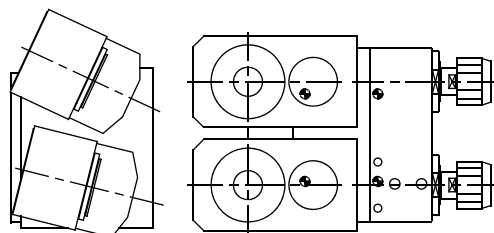
**DECO 2000
13a
(± 25°)**



RATIO 1:1
6.000 RPM MAX.

DE.035.13/2

**DECO 2000
13a
(DOUBLE HEADED)**



RATIO 1:1
6.000 RPM MAX.

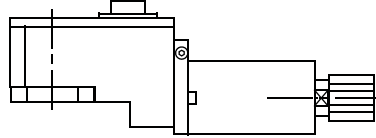


SPECIALS: NO PROBLEM



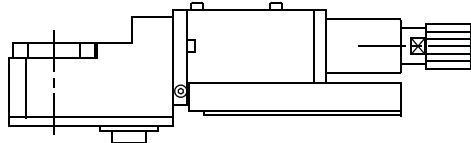
THREAD WHIRLING/TOURBILLONNAGE

DE.035.20
DECO 2000
26a/20a
(STANDARD)



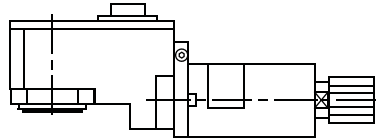
RATIO 1:1
6.000 RPM MAX.

DE.035.20S
DECO 2000
26a/20a
(SUBSPINDLE)



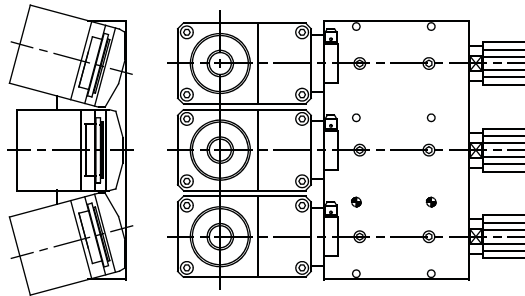
RATIO 1:1
6.000 RPM MAX.

DE.035.20/25
DECO 2000
26a/20a
(± 25°)



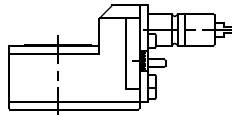
RATIO 1:1
6.000 RPM MAX.

DE.035.20/3
DECO 2000
26a/20a
(TRIPLE HEADED)



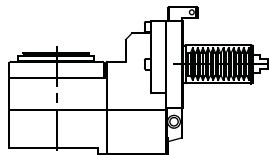
RATIO 1:1
6.000 RPM MAX.

GD.035.GD20
GILDEMEISTER
GD20



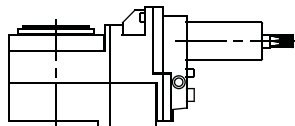
RATIO 2:1
6.000 RPM MAX.

HW.035.STL32H
HANWHA
STL32H



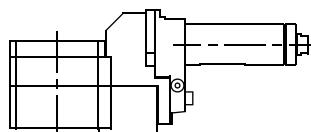
RATIO 2:1
6.000 RPM MAX.

HW.035.XD20H
HANWHA
XD20/26H
XD20/26J



RATIO 1:1
8.000 RPM MAX.

HJ.035.HJM
HJM



RATIO 1:1
8.000 RPM MAX.



SPECIALS: NO PROBLEM

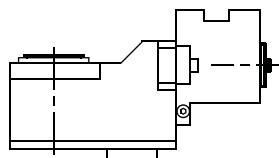

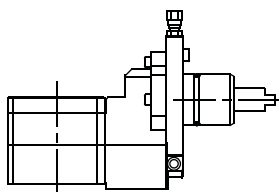
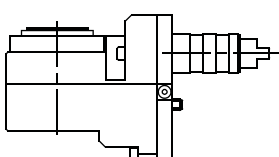

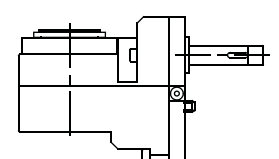
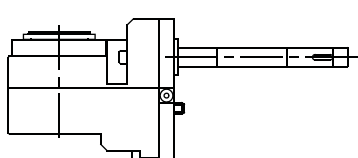

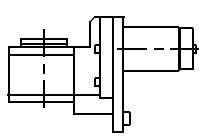
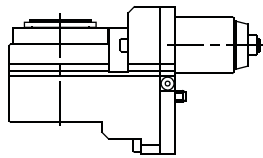

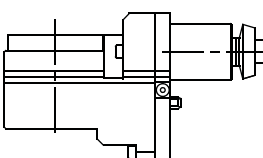
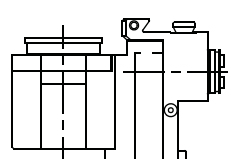


ANY TYPE OF CUTTING HEAD SYSTEM **GLOOR - HORN - MADAULA - SCHWANOG - UTILIS - ETC.**

Rec del Molí 11-17 08105 SANT FOST DE CAMPSENTELLES - BARCELONA (SPAIN) TEL.: 34.93.593.36.00 - FAX.: 34.93.570.07.99 - Email.: comercial@madaula.com



THREAD WHIRLING/TOURBILLONNAGE

MH.035.SWING	MANURHIN SWING 1026		RATIO 1:1 6.000 RPM MAX.	
MU.035.MT12	MURATEC MT12		RATIO 2:1 3.000 RPM MAX.	
NX.035.D	NEXTURN SA20D/26D/32D		RATIO 1:1 5.000 RPM MAX.	
NX.035.X	NEXTURN SA20X/32X/45X		RATIO 1:1 5.000 RPM MAX.	
NX.035.E	NEXTURN SA20E/26E/32E/38E		RATIO 1:1 5.000 RPM MAX.	
ST.035.34	STAR (GANG TOOLING Ø34) ECAS 12/20, SR16/20RII SV12/20/32, SR20R-RII-RIII SV32J-32JII, SR32J		RATIO 1.3:1 6.000 RPM MAX.	
ST.035.20	STAR (TURRET TOOLING) SV12/20, SV32J KNC16, KNC20		RATIO 1.5:1 6.000 RPM MAX.	
ST.035.32	STAR (TURRET TOOLING) SV32, ECAS20T KNC32, ECAS32T		RATIO 1.5:1 6.000 RPM MAX.	
TR.035.TNL26	TRAUB TNL-26		RATIO 1.5:1 6.000 RPM MAX.	

SPECIALS: NO PROBLEM

